

**PLEASE CHECK WWW.MOLEX.COM FOR LATEST PART INFORMATION**

**Part Number:** [0190730087](#)  
**Status:** **Active**  
**Description:** Avikrimp™ Ring Tongue Terminal for 14 to 16 AWG Wire, Stud Size 10, Length 22.48m (.885")

**Documents:**

[Drawing \(PDF\)](#) [RoHS Certificate of Compliance \(PDF\)](#)

**Agency Certification**

CSA LR18689  
 UL E32244

**General**

Product Family Ring and Spade Terminals  
 Series [19073](#)  
 Comments Type II Insulated; Class 1 and 2  
 Crimp Quality Equipment Yes  
 Mil-Spec AS25036-108, MS25036-108  
 MolexKits Yes  
 Product Name Avikrimp™  
 Type Ring

**Physical**

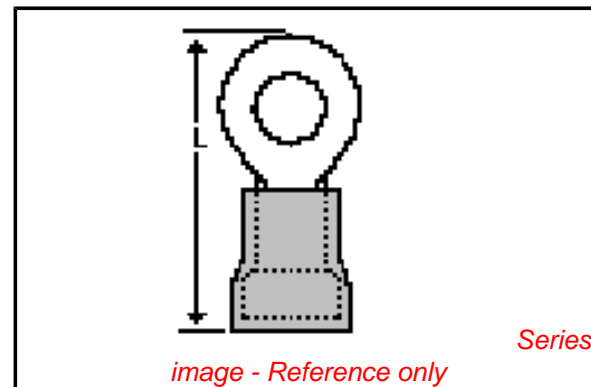
Barrel Type Closed  
 Flammability 94V-0  
 Insulation Nylon (PA)  
 Material - Plating Mating Tin  
 Packaging Type Bag  
 Plating min: Mating (µin) 100  
 Plating min: Mating (µm) 2.5  
 Plating min: Termination (µin) 100  
 Plating min: Termination (µm) 2.5  
 Stud Size 10 (M5)  
 Wire Insulation Diameter 4.30mm (.170") max.  
 Wire Size AWG 14, 16  
 Wire Size mm² 1.30 - 2.00

**Material Info**

Old Part Number BB-837-10

**Reference - Drawing Numbers**

Sales Drawing SD-19073-006



**EU RoHS**

**ELV and RoHS Compliant**  
**REACH SVHC Contains SVHC: No**  
**Halogen-Free Status**  
**Not Reviewed**

**China RoHS**



**Need more information on product environmental compliance?**

Email [productcompliance@molex.com](mailto:productcompliance@molex.com)  
 For a multiple part number RoHS Certificate of Compliance, [click here](#)

Please visit the [Contact Us](#) section for any non-product compliance questions.

**Search Parts in this Series**

[19073Series](#)

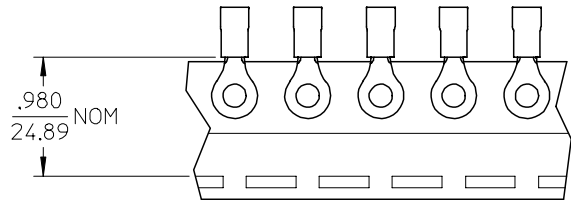
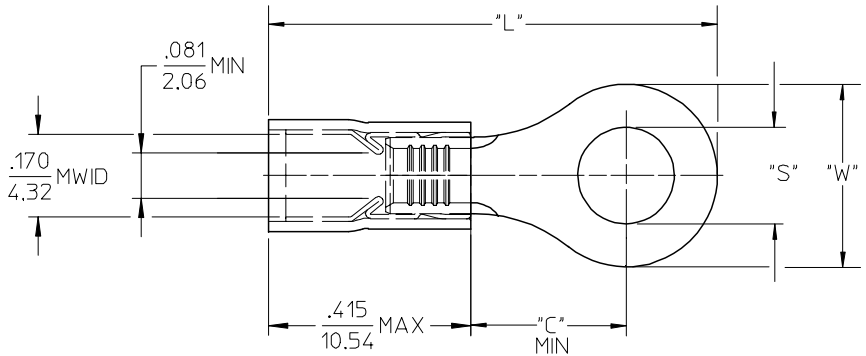
**Application Tooling | FAQ**

*Tooling specifications and manuals are found by selecting the products below. Crimp Height Specifications are then contained in the Application Tooling Specification document.*

**Global**

Description	Product #
Hand Crimp Tool	<a href="#">0640010100</a>
Hand Crimp Tool	<a href="#">0640011400</a>
Crimp Head for the AT-200™ Pneumatic Hand Tool	<a href="#">0640050100</a>
Crimp Head for the AT-200™ Pneumatic Hand Tool	<a href="#">0640051400</a>

MATERIAL NUMBER	ENG. NO.	MATERIAL NUMBER TAPE MOUNTED	ENG. NO.	STUD SIZE	"S" ±.005	"W" MAX	"C" MIN	"L" MAX
190730081	BB-837-04	-----	-----	04	.119 (3.02)	.322 (8.18)	.285 (7.24)	.885 (22.48)
190730083	BB-837-06	190730084	BB-837-06T	06	.146 (3.71)			
190730085	BB-837-08	190730086	BB-837-08T	08	.173 (4.39)			
190730087	BB-837-10	190730088	BB-823-10T	10	.198 (5.03)			
190730302	BB-839-06	190730093	BB-839-06T	06	.146 (3.71)	.352 (8.94)	.310 (7.87)	.936 (23.77)
190730094	BB-839-08	190730096	BB-839-08T	08	.173 (4.39)			
190730097	BB-839-10	190730099	BB-839-10T	10	.198 (5.03)			



SALES DRAWING

- NOTES:
1. MATERIAL: COPPER (.031/0.79) THICK  
PLATING: ELECTROPLATE TIN
  2. FERRULE: TIN-PLATED BRASS
  3. INSULATION: BLUE NYLON
  4. MWID=MAXIMUM WIRE INSULATION DIA.
  5. ALL DIMENSIONS IN INCHES (MM).
  6. WIRE SIZE: 16-14 AWG  
1.0-2.5 MM<sup>2</sup>

EC NO: ETC2004-0123 DRWN:DMYRICK 2004/01/05 CHKD:SBEITZEL 2004/01/05 APPR:RDEROSS 2004/01/06	QUALITY SYMBOLS	GENERAL TOLERANCES (UNLESS SPECIFIED)		SCALE 4:1	DESIGN UNITS INCH	THIRD ANGLE PROJECTION	REVISE ON CAD ONLY
	DESCRIPTION ▼ = 0 ▽ = 0		mm	INCH	DIMENSION STYLE IN/MM		TITLE RING TONGUE TERMINAL AVIKRIMP, 800-SERIES 16-14 AWG
		4 PLACES	± ---	± ---	DRAWN BY DMYRICK	DATE 03/12/15	
		3 PLACES	± ---	± .005	CHECKED BY SBEITZEL	DATE 03/12/15	MATERIAL NO. SEE CHART
	2 PLACES	± 0.13	± .01	APPROVED BY RDEROSS	DATE 03/12/15	SHEET NO. 1 OF 1	
	1 PLACE	± 0.25	± ---	DRAFT WHERE APPLICABLE MUST REMAIN WITHIN DIMENSIONS			
	ANGULAR ± 1 °		THIS DRAWING CONTAINS INFORMATION THAT IS PROPRIETARY TO MOLEX INCORPORATED AND SHOULD NOT BE USED WITHOUT WRITTEN PERMISSION				